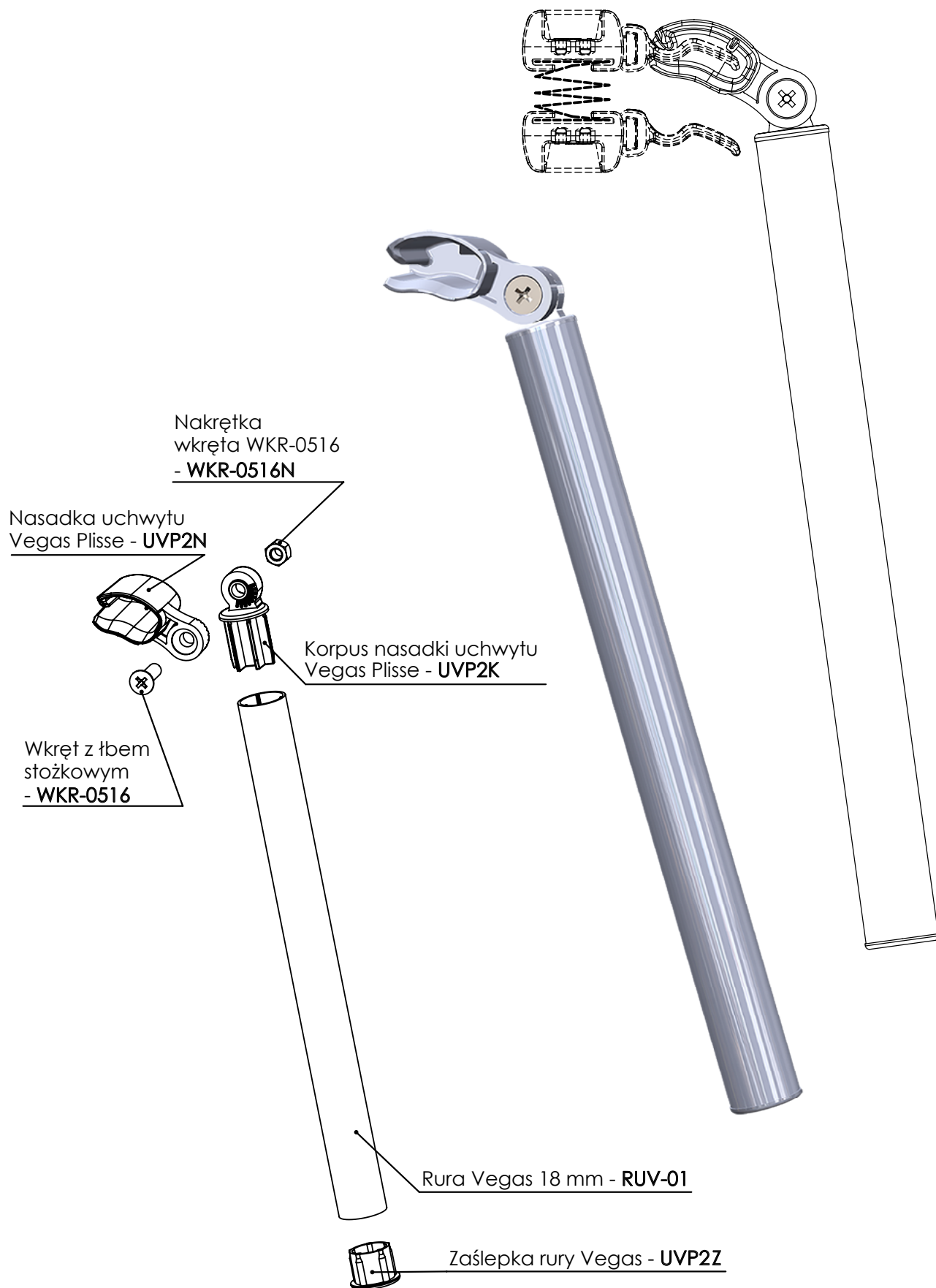
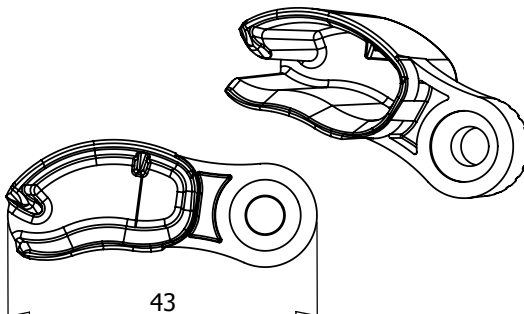
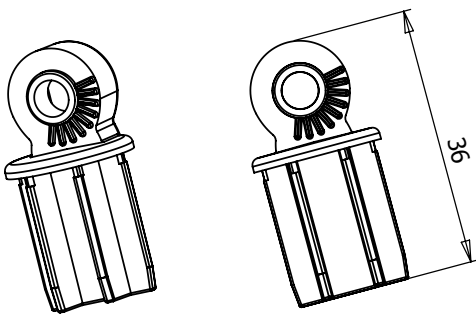
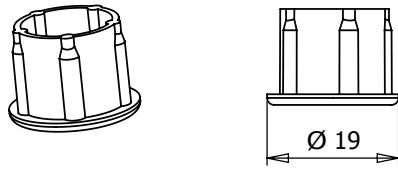


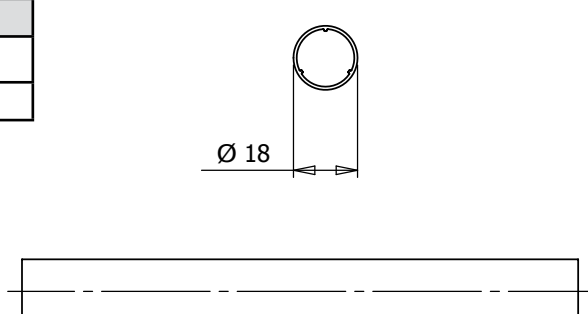
UCHWYT PRZEDŁUŻONY VEGAS PLISSE

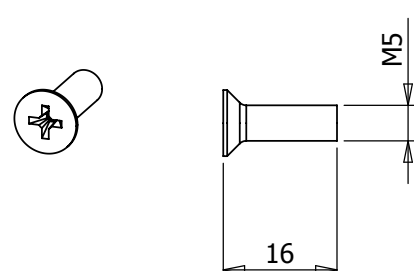


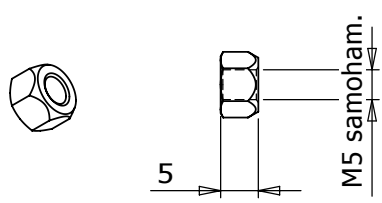
| Rysunek i opis elementu | | Pakowanie | | | | |
|---|--------|------------------|--------|--------------|-------|----------|
| <p>UVP2N Nasadka uchwyty Vegas Plisse</p> <table border="1"> <thead> <tr> <th>Wariant elementu</th> <th>Indeks</th> </tr> </thead> <tbody> <tr> <td>biel w masie</td> <td>UVP2N</td> </tr> </tbody> </table>  | | Wariant elementu | Indeks | biel w masie | UVP2N | 200 szt. |
| Wariant elementu | Indeks | | | | | |
| biel w masie | UVP2N | | | | | |

| Rysunek i opis elementu | | Pakowanie | | | | |
|--|--------|------------------|--------|--------------|-------|----------|
| <p>UVP2K Korpus nasadki uchwyty Vegas Plisse</p> <table border="1"> <thead> <tr> <th>Wariant elementu</th> <th>Indeks</th> </tr> </thead> <tbody> <tr> <td>biel w masie</td> <td>UVP2K</td> </tr> </tbody> </table>  | | Wariant elementu | Indeks | biel w masie | UVP2K | 200 szt. |
| Wariant elementu | Indeks | | | | | |
| biel w masie | UVP2K | | | | | |

| Rysunek i opis elementu | | Pakowanie | | | | |
|--|--------|------------------|--------|--------------|-------|----------|
| <p>UVP2Z Zaślepka rury Vegas</p> <table border="1"> <thead> <tr> <th>Wariant elementu</th> <th>Indeks</th> </tr> </thead> <tbody> <tr> <td>biel w masie</td> <td>UVP2Z</td> </tr> </tbody> </table>  | | Wariant elementu | Indeks | biel w masie | UVP2Z | 200 szt. |
| Wariant elementu | Indeks | | | | | |
| biel w masie | UVP2Z | | | | | |

| Rysunek i opis elementu | | Pakowanie | | | | | | |
|--|--------|------------------|--------|--------|--------|------------------|--------|-----------------------------|
| <p>RUV Rura Vegas 18 mm</p> <table border="1"> <thead> <tr> <th>Wariant elementu</th> <th>Indeks</th> </tr> </thead> <tbody> <tr> <td>surowy</td> <td>RUV-00</td> </tr> <tr> <td>biel lakierowana</td> <td>RUV-01</td> </tr> </tbody> </table>  | | Wariant elementu | Indeks | surowy | RUV-00 | biel lakierowana | RUV-01 | <p>18 mb (3 x 6 mb)</p> |
| Wariant elementu | Indeks | | | | | | | |
| surowy | RUV-00 | | | | | | | |
| biel lakierowana | RUV-01 | | | | | | | |

| Rysunek i opis elementu | | Pakowanie | | | | |
|--|----------|------------------|--------|----------|----------|-----------------|
| <p>WKR-0516 Wkręt z łbem stożkowym</p> <table border="1"> <thead> <tr> <th>Wariant elementu</th> <th>Indeks</th> </tr> </thead> <tbody> <tr> <td>standard</td> <td>WKR-0516</td> </tr> </tbody> </table>  | | Wariant elementu | Indeks | standard | WKR-0516 | <p>500 szt.</p> |
| Wariant elementu | Indeks | | | | | |
| standard | WKR-0516 | | | | | |

| Rysunek i opis elementu | | Pakowanie | | | | |
|--|-----------|------------------|--------|----------|-----------|-----------------|
| <p>WKR-0516N Nakrętka wkręta WKR-0516</p> <table border="1"> <thead> <tr> <th>Wariant elementu</th> <th>Indeks</th> </tr> </thead> <tbody> <tr> <td>standard</td> <td>WKR-0516N</td> </tr> </tbody> </table>  | | Wariant elementu | Indeks | standard | WKR-0516N | <p>500 szt.</p> |
| Wariant elementu | Indeks | | | | | |
| standard | WKR-0516N | | | | | |